

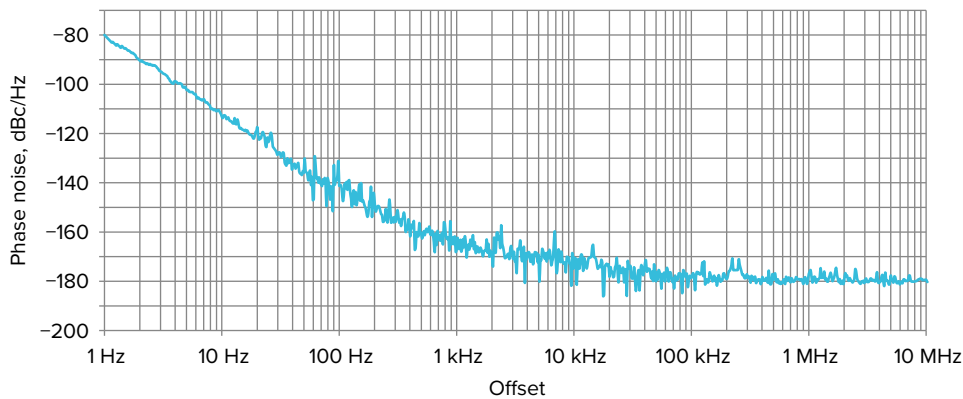
Oven-controlled crystal oscillator MOXO-100

- High frequency stability
- Low phase noise
- High output power
- Low power consumption



The Micran MOXO-100 crystal oscillator is an oven-controlled, high-performance oscillator. The MOXO-100 are used for solutions, where low phase noise, low aging rate and fairly high output power is needed. This oscillator provide high frequency stability at very low phase noise level and can be widely used for communication, navigation and instrumentation applications.

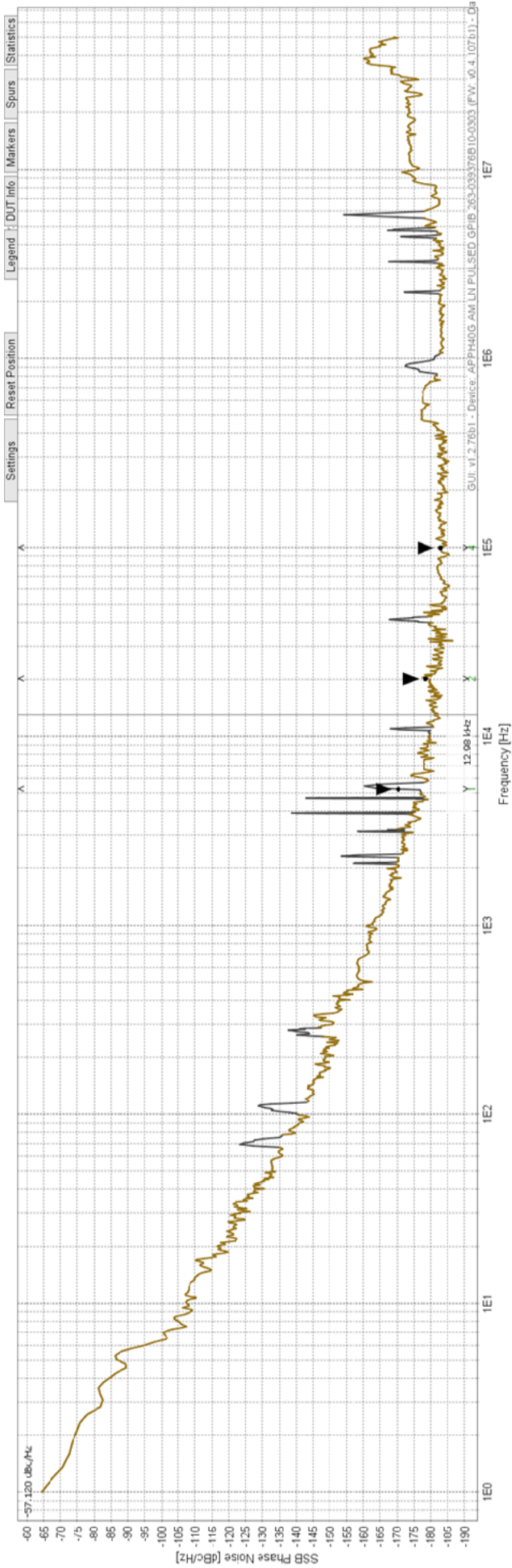
Phase noise



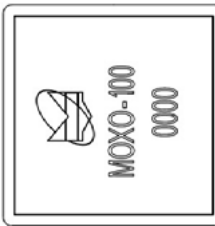
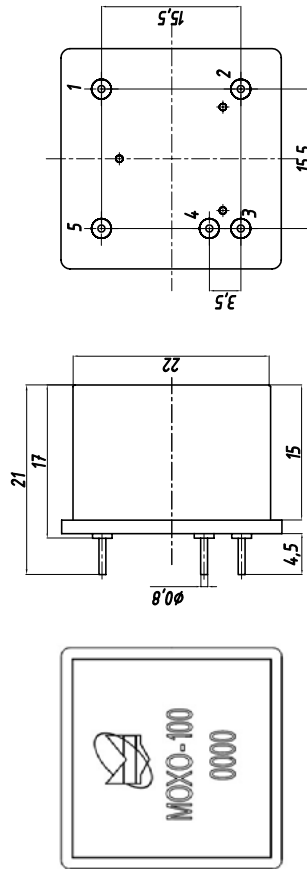
Technical Specifications

Frequency, MHz	100*
Aging after 30 days continuous operation 1/year	0.5×10^{-6}
Allan deviation at 1s	5×10^{-11}
Phase noise @ offset frequency, dBc/Hz, max. :	
1 GHz	-75
10 GHz	-105
100 GHz	-135
1 kHz	-165
10 kHz	-175
100 kHz	-176
Output power, dBm, max.	14
Supply voltage, V	12 ± 0.5
Current consumption, mA:	
steady	400
state	100
Frequency versus temperature, ppm	5×10^{-8}
Frequency instability due to load change 50 ± 5 Ohms	5×10^{-8}
Frequency tuning range	$\pm 1.5 \times 10^{-6}$
Tuning voltage range, V	0...9
Operating temperature range, °C	-10...60

* Solutions with frequencies in the range 5...120 MHz are also available.



Overall and Mounting dimensions, mm



Pin number	Description
1	RF output
2	Supply input
3	Frequency control input
4	Reference voltage output
5	Ground